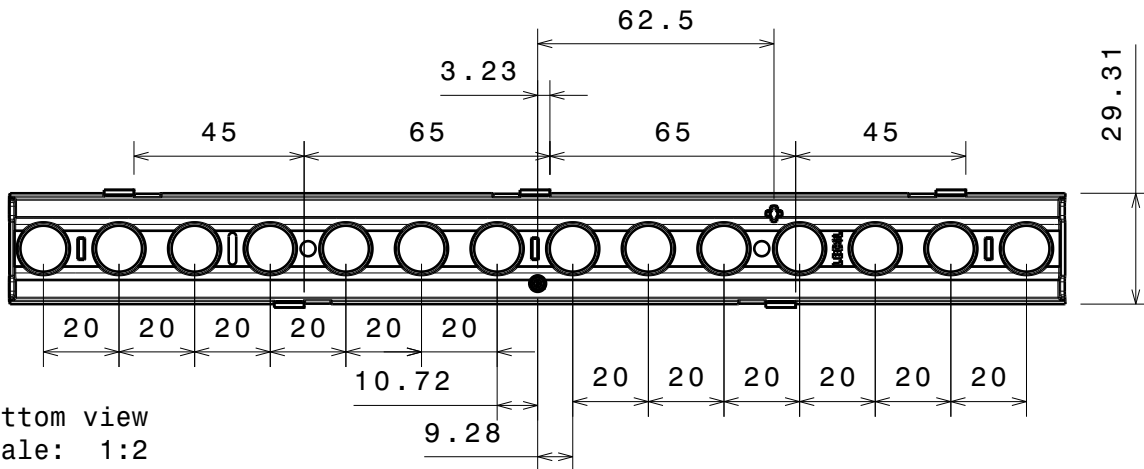
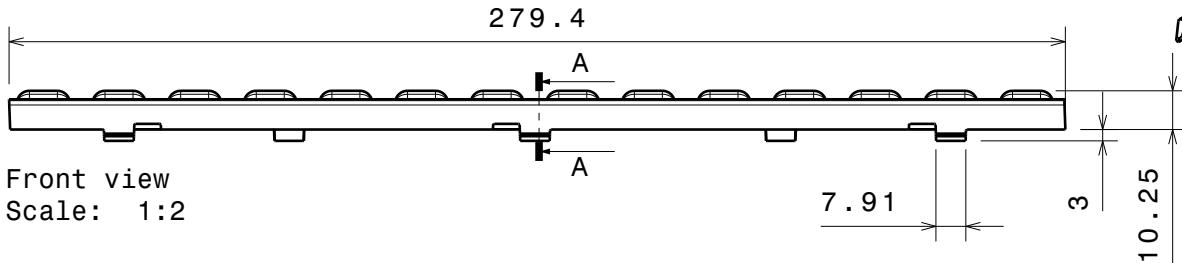


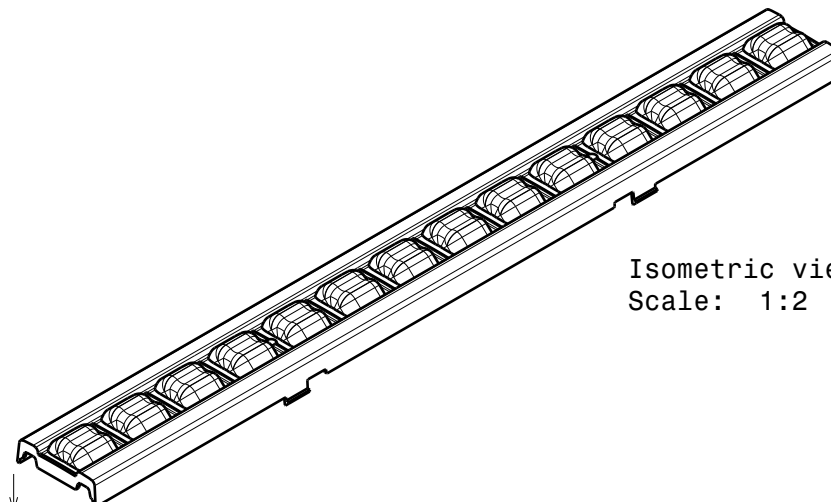
DATE  
19.08.2020



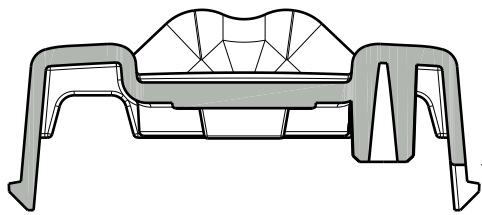
Bottom view  
Scale: 1:2



Front view  
Scale: 1:2



Isometric view  
Scale: 1:2



Snap for  
1mm plate

Section view A-A  
Scale: 2:1

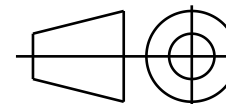
PART	TYPE	MATERIAL	COLOR / COATING
C16663_CLAUDIA-Z2T25		PMMA	

**MECHANICAL DRAWING**

PRODUCT  
**CLAUDIA**

Plastic moulding general tolerances according to DIN 16901-130 and applies if not otherwise shown in the drawing. Silicone moulding general tolerances according to ISO 3302-1 Class M3 and applies if not otherwise shown in the drawing.

FIRST ANGLE PROJECTION:



**LEDiL**®

This drawing is the property of LEDiL Oy. It may not be copied or otherwise distributed without prior written permission from LEDiL Oy.

SCALE 1:2

WEIGHT 30 g

A4 SHEET 1/1